



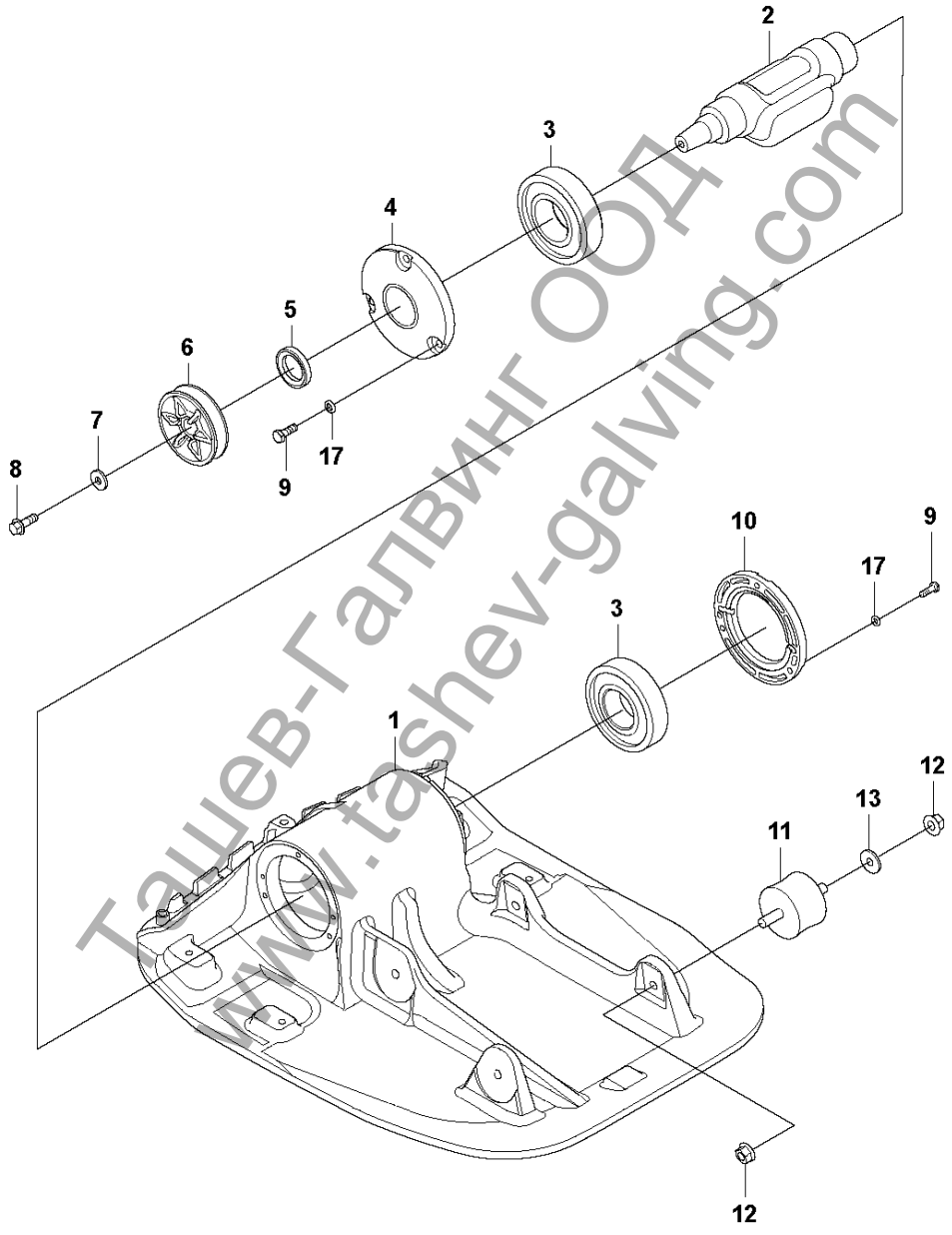
SPARE PARTS LIST

LIGHT COMPACTION

LFV 100 L/LFV 100 D, 2020-03

Ташев-Гарбинг ООД
www.tashevgarbing.com

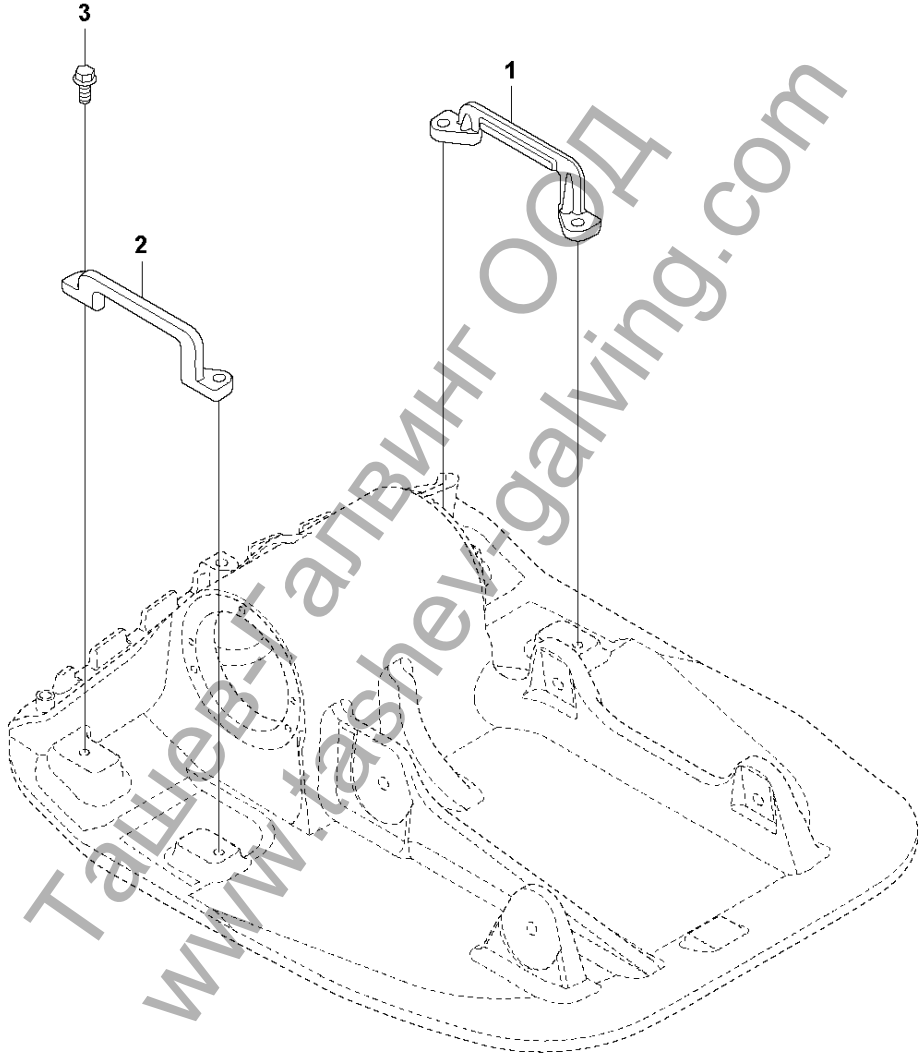
A LFV 100 / LFV 100 D
GROUND PLATE INSTALLATION



Ref	Part No	Description	Remark	QTY KIT
1	594 65 09-01	PLATE		1
2	594 64 39-01	SHAFT		1
3	594 52 61-01	BALL BEARING		2
4	594 49 01-01	COVER		1
5	594 12 83-01	SEAL	Lip-type	1
6	594 48 67-01	PULLEY		1
7	594 12 34-01	WASHER	8.4 x 16 x 1.5 mm, 0.33 x 0.63 x 0.06 in. 300 HV	1
8	594 12 00-01	SCREW	M8 x 25 mm 8.8 A2K	1
9	595 03 32-01	SCREW	M6x16 8.8, A2K	6
10	594 49 02-01	COVER		1
11	594 34 19-01	ABSORBER		4
12	594 12 26-01	HEXAGON NUT	Flanged nut M10	8
13	594 83 85-01	WASHER	022x10,5x4,0, S355JR, UNTR	4
17	594 12 46-01	WASHER	nordlock NL6 M6 DIA 13.5	6

Ташев-Галвинг ООД
www.tashev-galving.com

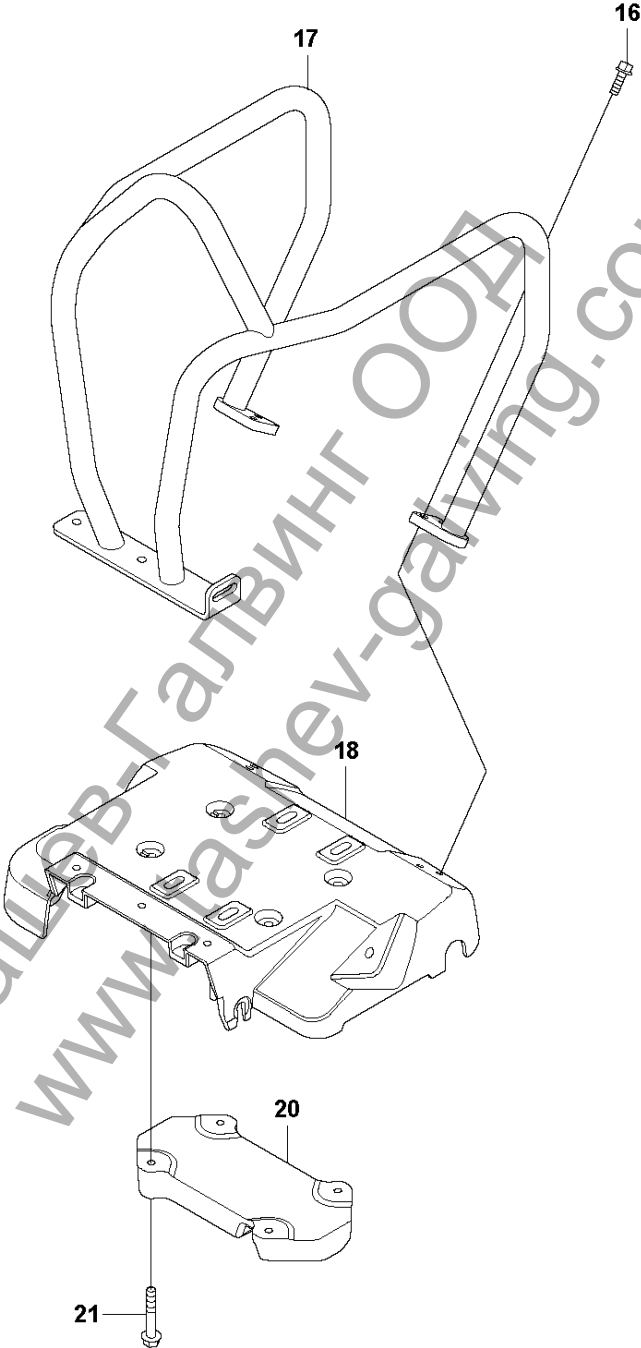
B LFV 100 / LFV 100 D
LIFTING HANDLE



Ref	Part No	Description	Remark	QTY KIT
1	594 48 68-01	HANDLE	Right	1
2	594 48 69-01	HANDLE	Left	1
3	595 28 73-01	SCREW	M8x20 mm 8.8 A2K	4

Ташев-Галвинг ООД
www.tashev-galving.com

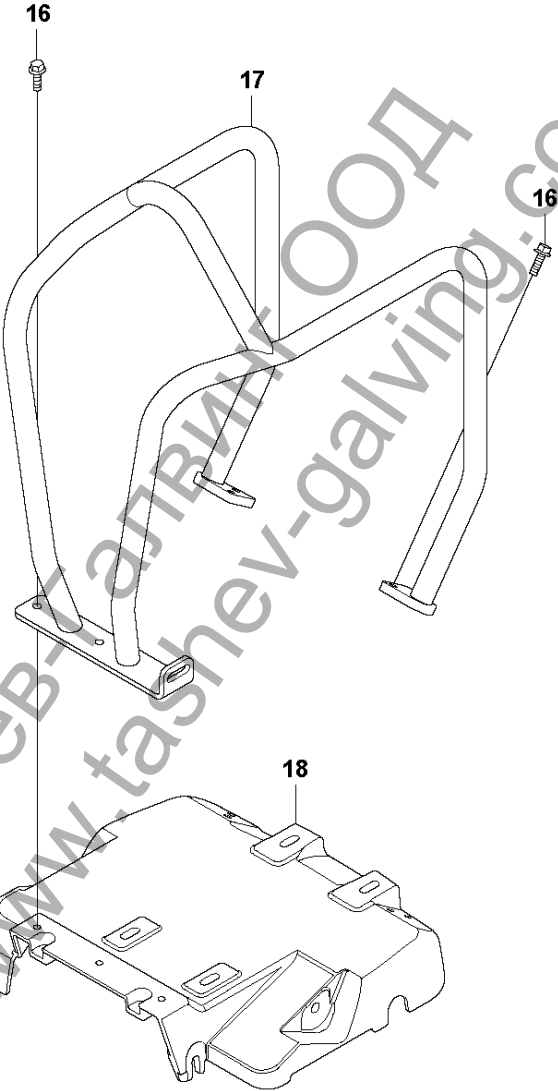
C LFV 100
FRAME & ENGINE PLATE - HONDA



Ref	Part No	Description	Remark	QTY KIT
16	595 18 57-01	SCREW	M8x25mm 8.8 A2K	7
17	594 14 46-01	FRAME		1
18	594 14 54-01	ENGINE PLATE		1
20	594 49 91-01	SCREW		4
21	594 49 91-01	SCREW	bolt with flange M8x50,M6SF,8.8,Ref.9002 8 8 50	4

Ташев-Галвинг ООД
www.tashev-galving.com

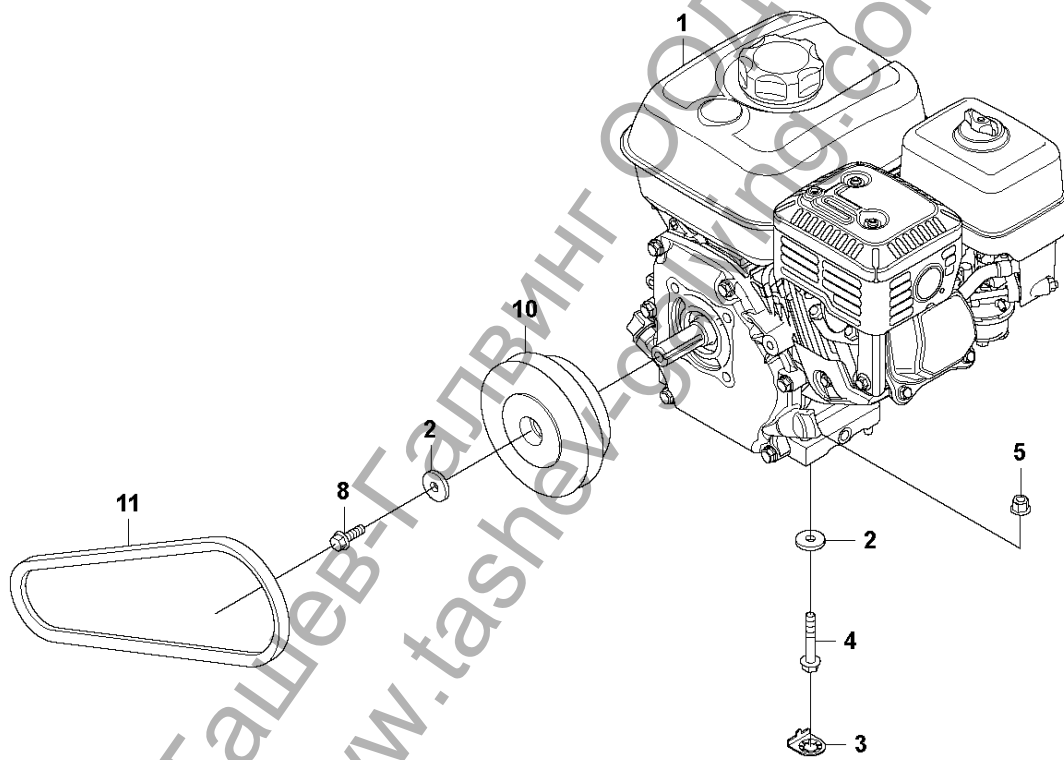
D LFV 100 D
FRAME & ENGINE PLATE - HATZ



Ref	Part No	Description	Remark	QTY KIT
16	594 12 00-01	SCREW		7
17	594 14 47-01	FRAME		1
18	594 14 55-01	ENGINE PLATE		1

Ташев-Галвинг ООД
www.tashev-galving.com

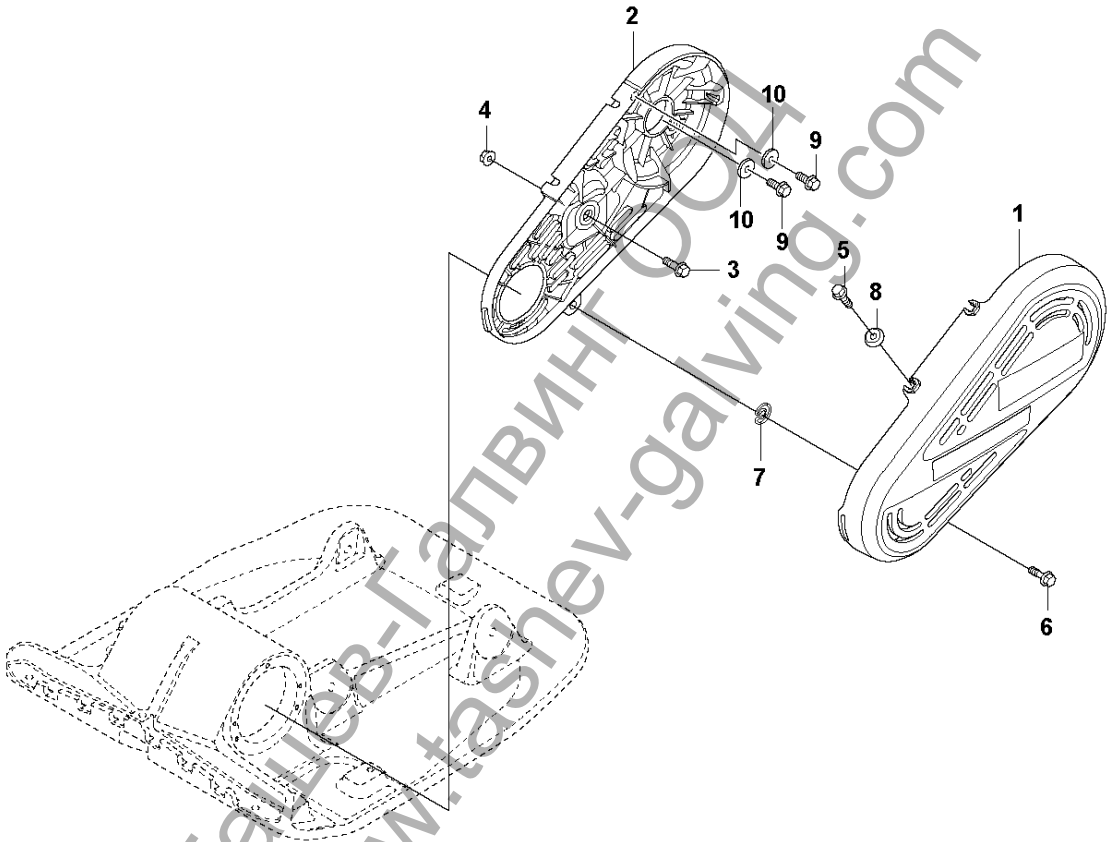
E LFV 100
ENGINE INSTALLATION - HONDA



Ref	Part No	Description	Remark	QTY KIT
2	595 11 29-01	WASHER	M08 8,4x26x4,0 300 HV	5
3	594 48 42-01	WASHER		4
4	594 49 91-01	SCREW	flange screw M8x50	4
5	594 12 30-01	LOCK NUT		4
10	598 69 70-01	CENTRIFUGAL CLUTCH		1
11	594 48 88-01	V-BELT		1

Ташев-Галвинг ООД
www.tashev-galving.com

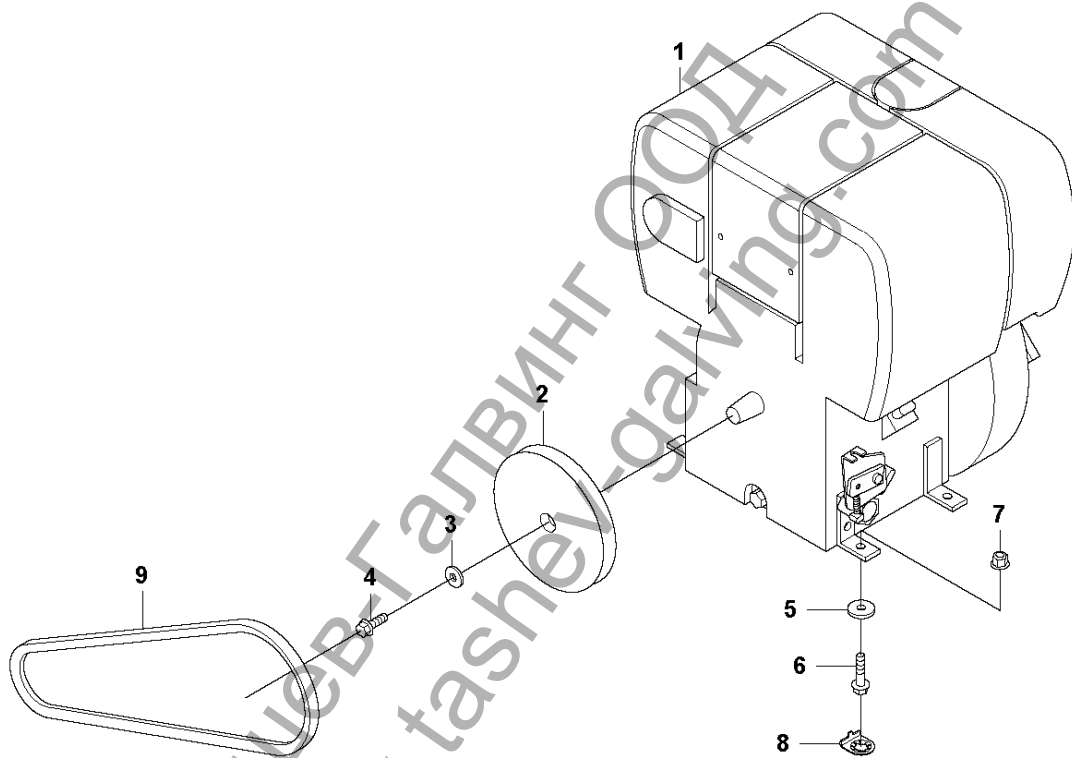
F LFV 100
BELT GUARD - HONDA



Ref	Part No	Description	Remark	QTY KIT
1	594 96 07-01	BELT GUARD	outer	1
2	594 48 31-01	BELT GUARD	inner	1
3	594 12 00-01	SCREW	M8 x 25 mm 8.8 A2K	1
4	594 12 30-01	LOCK NUT	M8 x 1.25 mm A2K	1
5	594 11 98-01	SCREW	FLANGE SCREW	3
6	594 64 80-01	SCREW	M8 x 25 mm 8.8 A2K	1
7	594 65 02-01	LOCKING SPRING		1
8	594 64 78-01	WASHER		3
10	595 03 66-01	WASHER	washer ϕ 8 din 125b zn	2

Ташев-Галвинг ООД
www.tashev-galving.com

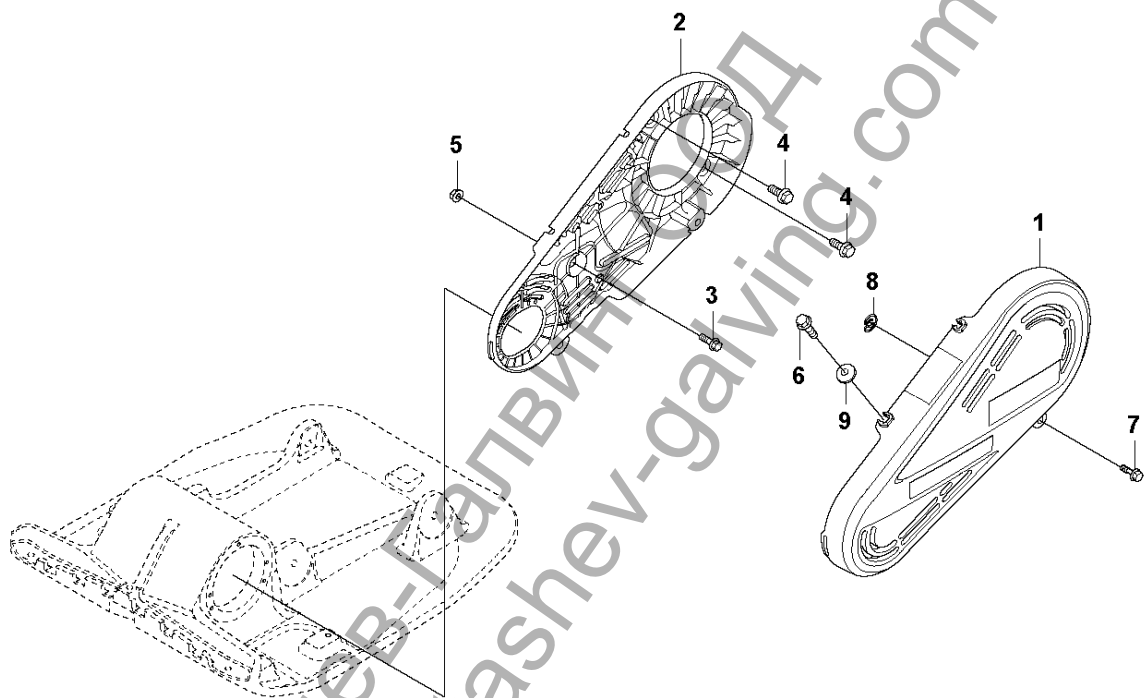
G LFV 100 D
ENGINE INSTALLATION - HATZ



Ref	Part No	Description	Remark	QTY KIT
1	596 24 12-15	ENGINE	ENGINE Hatz 1B20-6-268J Ref. S01952310 EU	1
2	594 48 00-01	CLUTCH	Centrifugal	1
3	594 12 34-01	WASHER	Washer, 8.4 x 22 x 3 mm 300 HV	1
4	594 11 98-01	SCREW	Screw, M8 x 30 mm	1
5	595 11 29-01	WASHER	Washer, 8.4 x 22 x 3 mm	4
6	594 12 01-01	SCREW	Screw, M8 x 40 mm	4
7	594 12 30-01	LOCK NUT	Lock nut, M8 x 1.25 mm	4
8	594 48 42-01	WASHER		4
9	594 48 89-01	BELT		1

Ташев-Галвинг ООД
www.tashev-galving.com

H LFV 100 D
BELT GUARD - HATZ

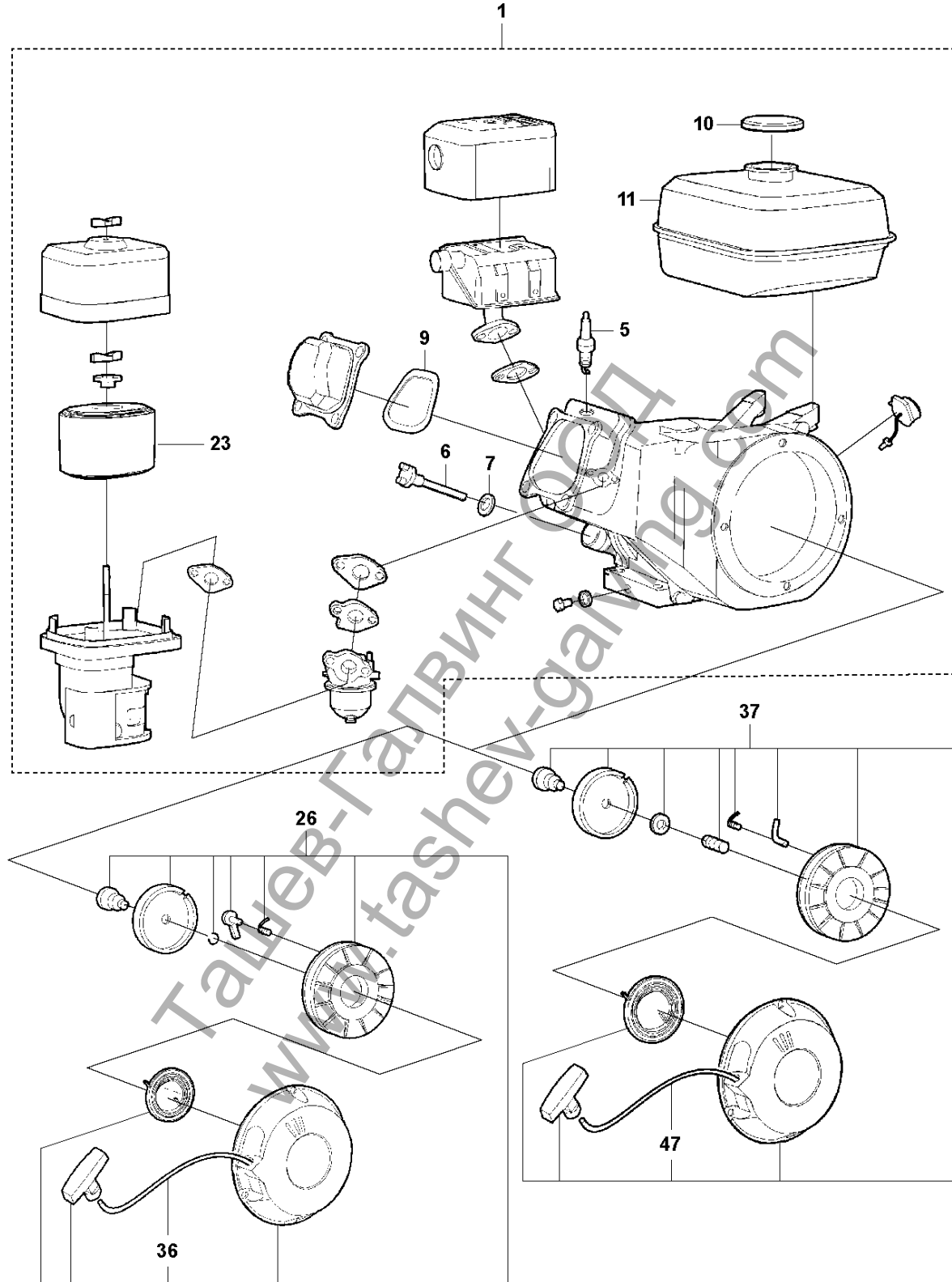


Ташев-Галвинг-ООД
www.tashev-galving.com

Ref	Part No	Description	Remark	QTY KIT
1	594 96 08-01	BELT GUARD		1
2	594 48 39-01	BELT GUARD	Inner	1
3	594 12 00-01	SCREW	M8 x 25 mm	1
4	595 99 01-01	SCREW	M10 x 25 mm	2
5	594 12 30-01	LOCK NUT	M8 x 1.25 mm	1
6	594 11 98-01	SCREW	M8 x 30 mm	2
7	594 64 80-01	SCREW	M8 x 25 mm 8.8 A2K	2
8	594 65 02-01	LOCKING SPRING		2
9	594 64 78-01	WASHER		2

Ташев-Галвинг ООД
www.tashev-galving.com

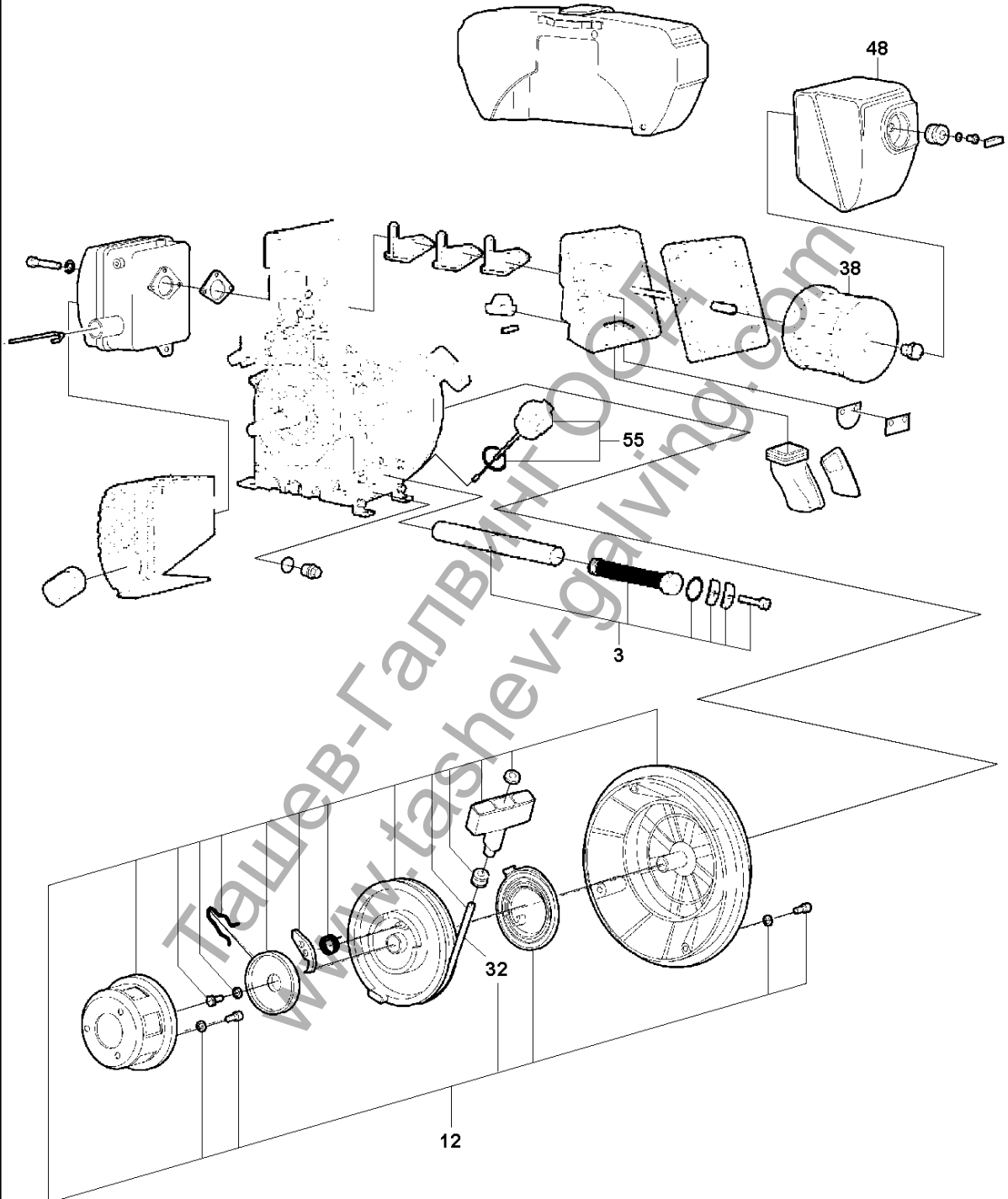
J LFV 100
Honda GX160H2 - QX - 3 - OH



Ref	Part No	Description	Remark	QTY	KIT
5	594 20 40-01	SPARK PLUG	(bpr6es) (ngk)	1	1
6	594 20 38-01	OIL		1	1
7	594 20 39-01	GASKET		1	1
9	595 04 88-01	GASKET		1	1
10	594 20 46-01	FUEL CAP		1	1
11	594 20 45-01	FUEL TANK		1	1
23	594 30 21-01	AIR FILTER	Delivered with outer and inner filter.	1	1
26	594 30 06-01	STARTER	Complete, Red, Valid up to engine serial number 1411005.	1	1
36	595 04 91-01	ROPE		1	1, 26
37	594 20 48-01	STARTER	recoil *nh1*, Complete, Black, Valid from engine serial number 1411006.	1	1
47	595 04 91-01	ROPE		1	1, 37

Ташев-Галвинг ООД
www.tashev-galving.com

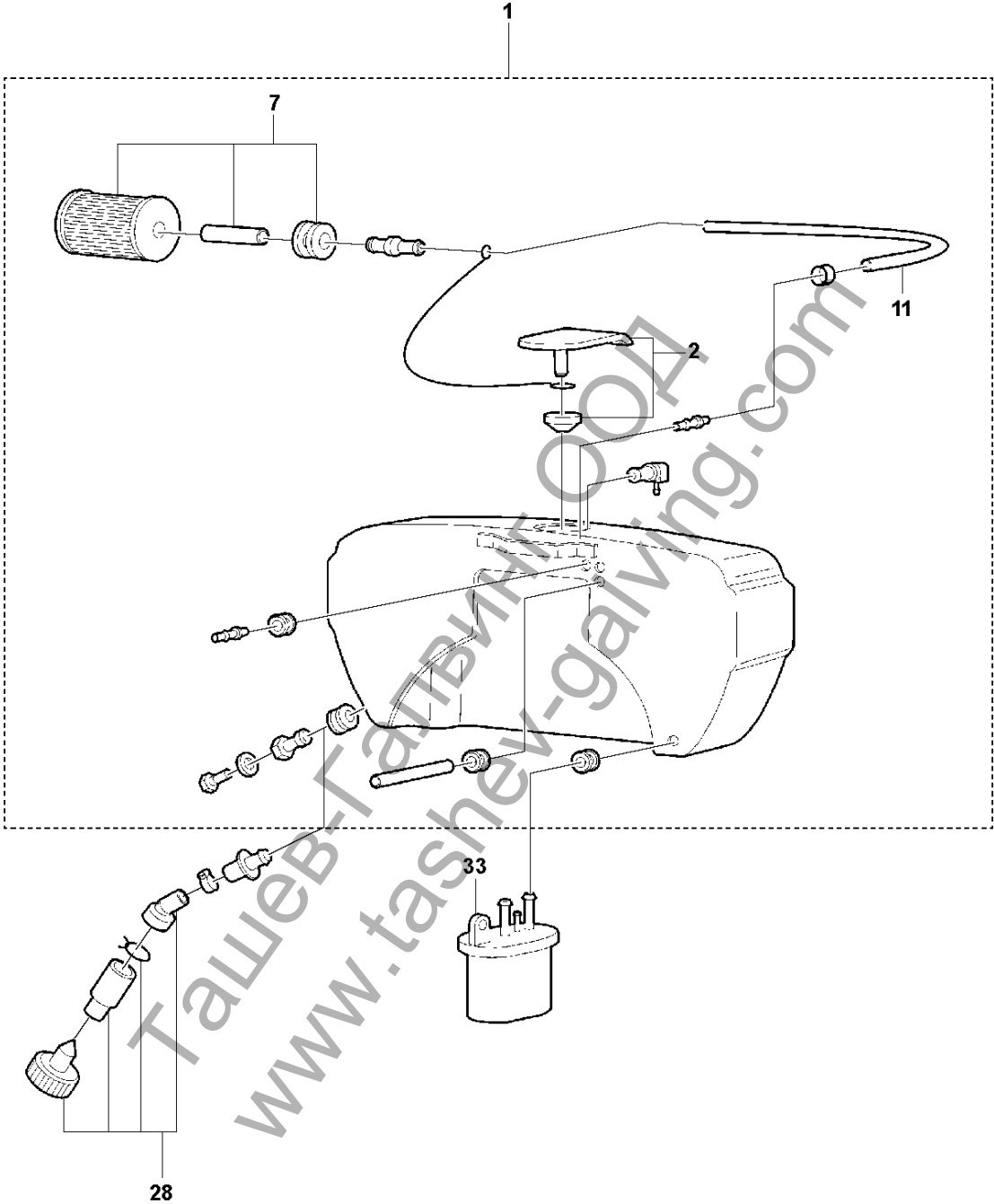
K LFV 100 D
ENGINE - HATZ 1B20 - MANUAL START



Ref	Part No	Description	Remark	QTY	KIT
3	594 57 01-01	STRAINER	Complete	1	
12	594 56 84-01	STARTER	Complete	1	
32	594 56 90-01	ROPE		1	12
38	594 57 11-01	FILTER		1	
48	594 57 13-01	PROTECTIVE COVER		1	
55	594 57 80-01	OIL		1	

Ташев-Галвинг ООД
www.tashev-galving.com

L LFV 100 D
FUEL TANK - HATZ 1B20

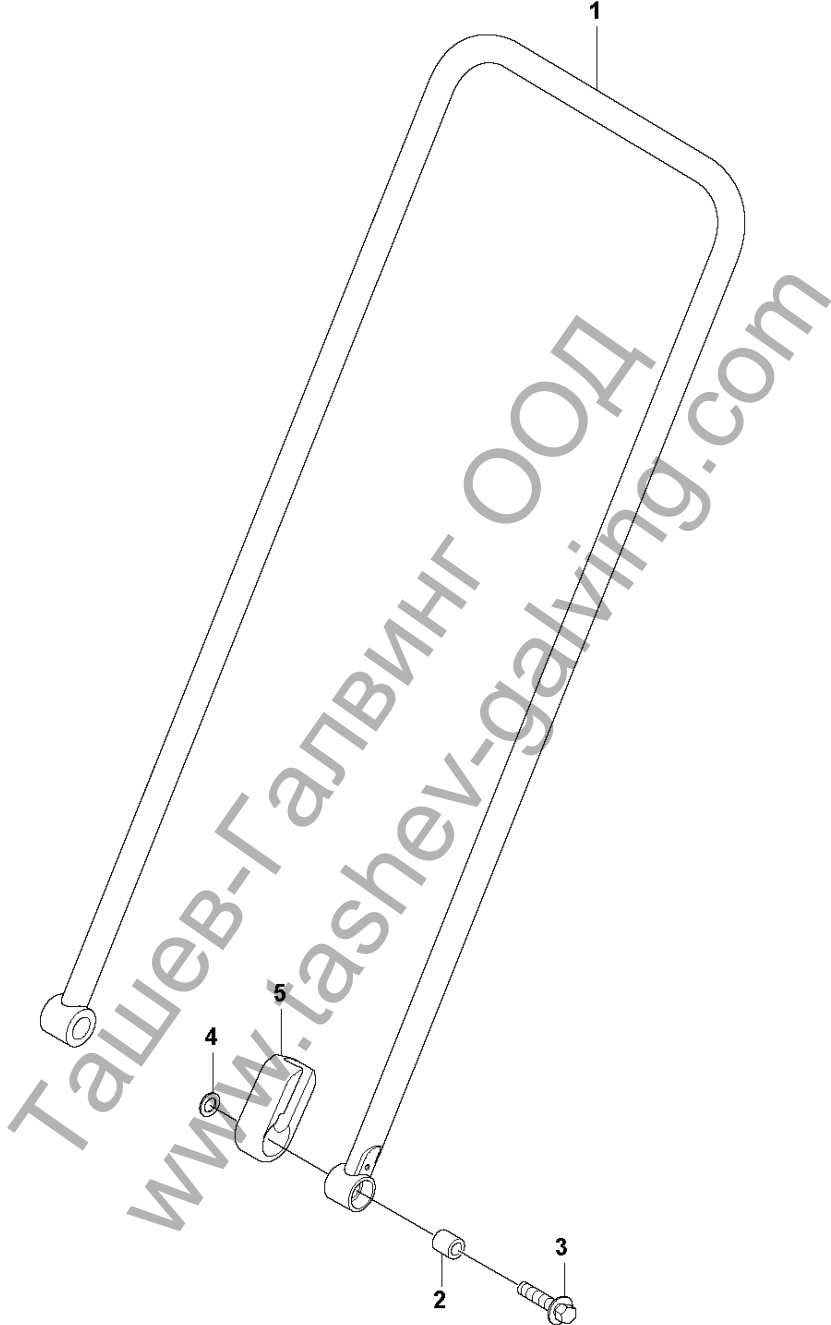


Ref	Part No	Description	Remark	QTY KIT	
1	594 20 30-01	FUEL TANK		1	
2	594 56 61-01	FUEL CAP		1	1
7	594 59 51-01	FUEL FILTER		1	1
11	594 20 34-01	FUEL HOSE		1	1
28	594 58 32-01	WATER SEPARATOR		1	
33	594 60 19-01	FUEL FILTER		1	

Ташев-Галвинг ООД
www.tashev-galving.com

M LFV 100 / LF 100 D

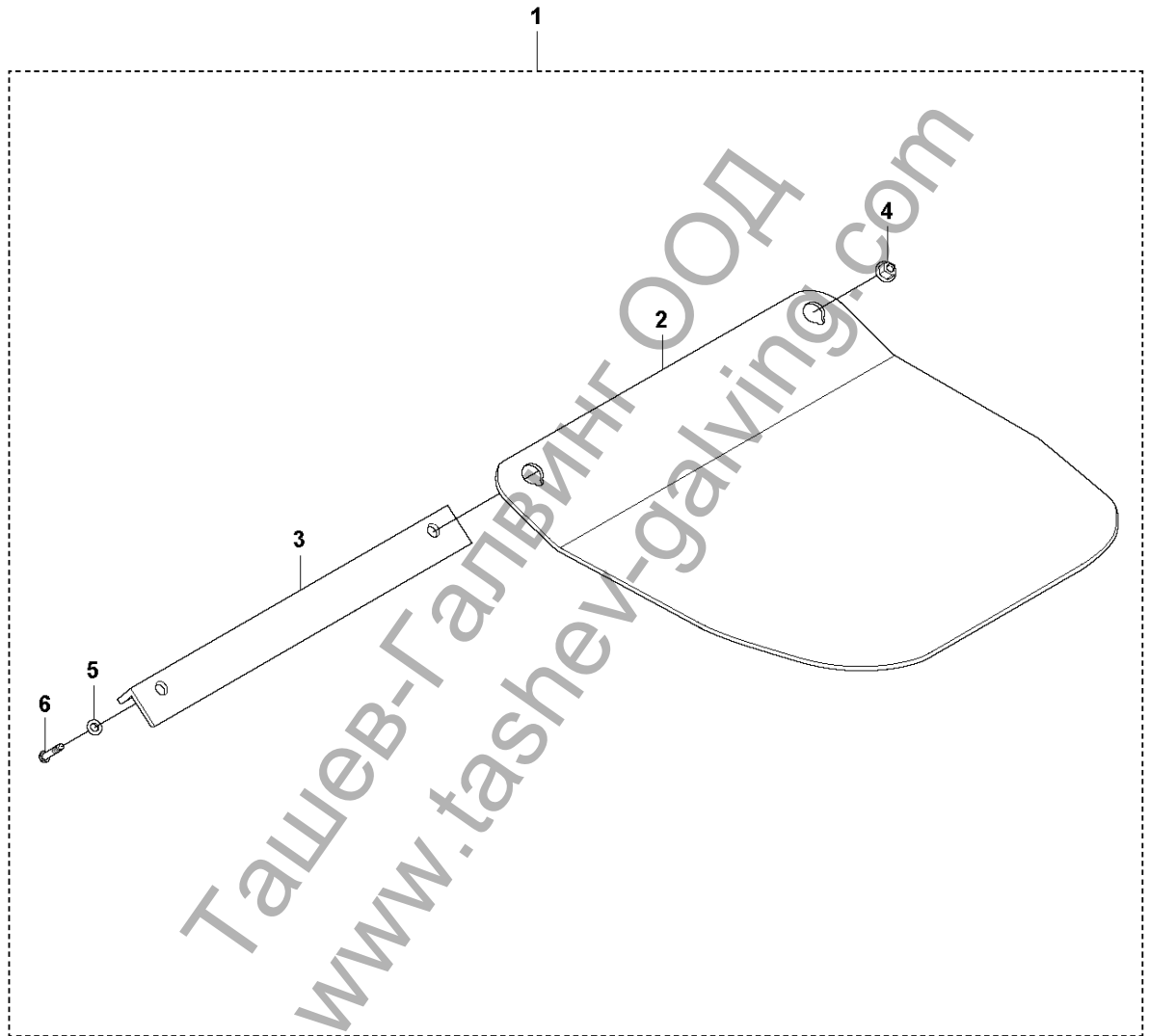
HANDLE



Ref	Part No	Description	Remark	QTY KIT
1	598 69 72-01	HANDLE	1	1
2	594 48 03-01	BUSHING		2
3	594 53 00-01	SCREW		2
4	599 56 99-01	ABSORBER		2
5	594 48 04-01	RADIATOR		2

Ташев-Галвинг ООД
www.tashev-galving.com

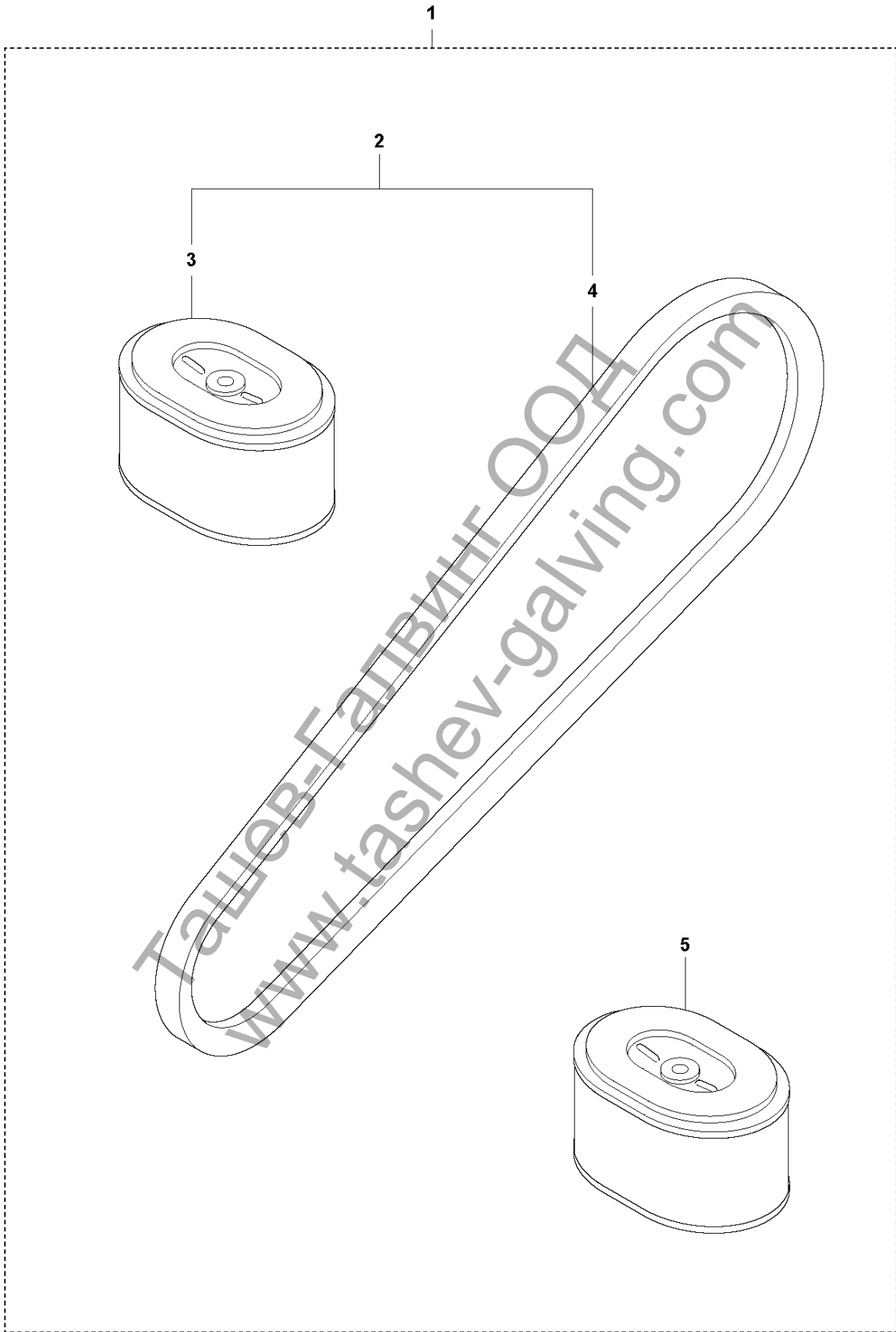
N LFV 100 / LFV 100 D
BLOCK PAVING PLATE KIT 500 MM (19,7")



Ref	Part No	Description	Remark	QTY KIT	
1	594 86 82-01	BLOCK PAVING KIT	Complete	1	
2	594 48 48-01	PLATE	"Polyurethane plate, 500 mm, 19.7""	1	1
3	594 48 49-01	BRACKET		1	1
4	594 12 30-01	LOCK NUT	M8 x 1.25 mm A2K	2	1
5	595 03 66-01	WASHER	8.4x 16x1.5 mm 300HV	2	1
6	594 52 25-01	SCREW	M8 x 75 mm 8.8 A2K	2	1

Ташев-Галвинг ООД
www.tashev-galving.com

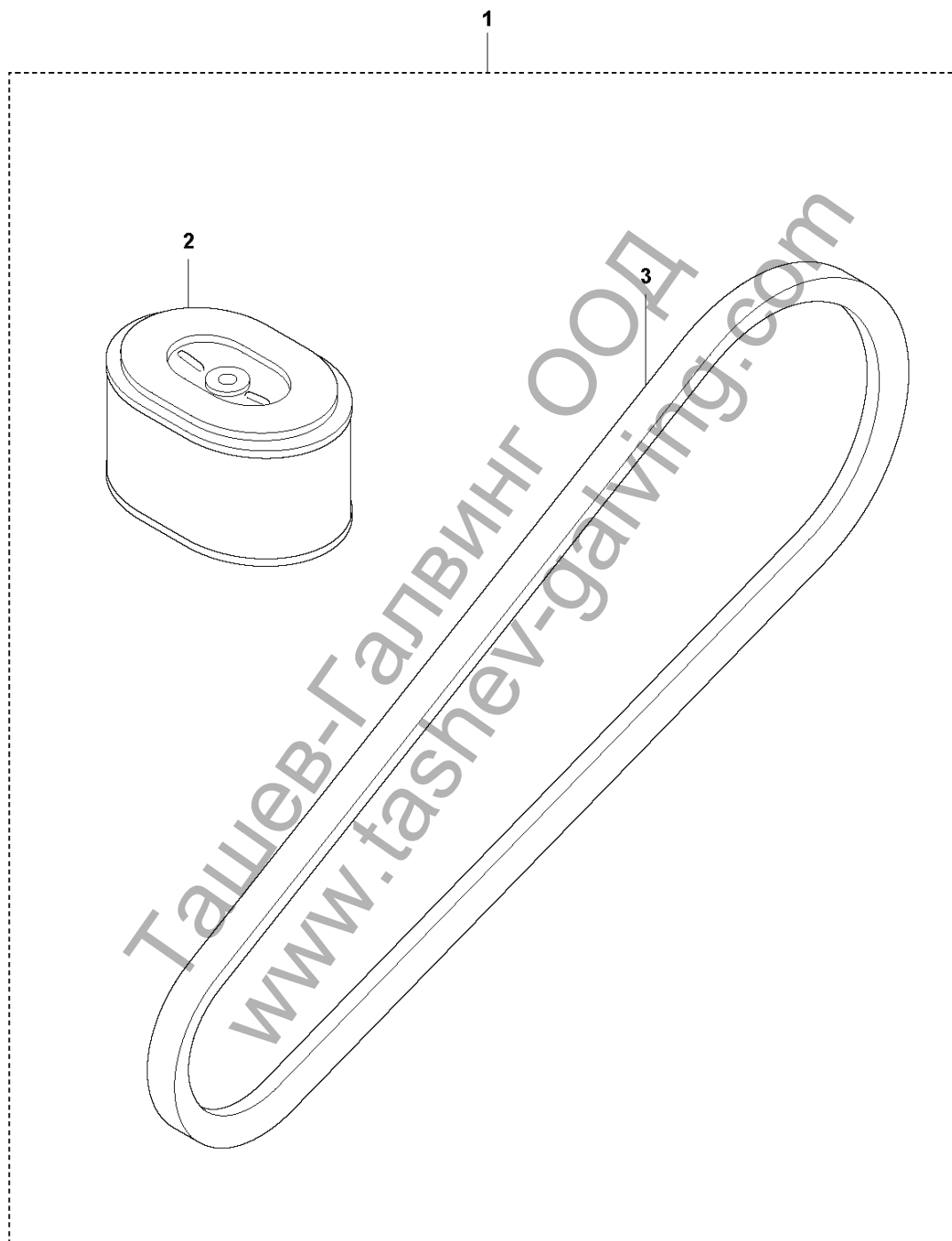
P LFV 100
START UP KIT - HONDA



Ref	Part No	Description	Remark	QTY KIT	
1	595 38 53-01	SERVICE KIT		1	
2	594 21 62-01	SERVICE KIT	12 months / 200 hours service kit - Honda	1	1
3	594 30 21-01	AIR FILTER	Complete	1	1,2
4	594 48 88-01	V-BELT		1	1,2
5	594 30 21-01	AIR FILTER	Complete	1	1

Ташев-Галвинг ООД
www.tashev-galving.com

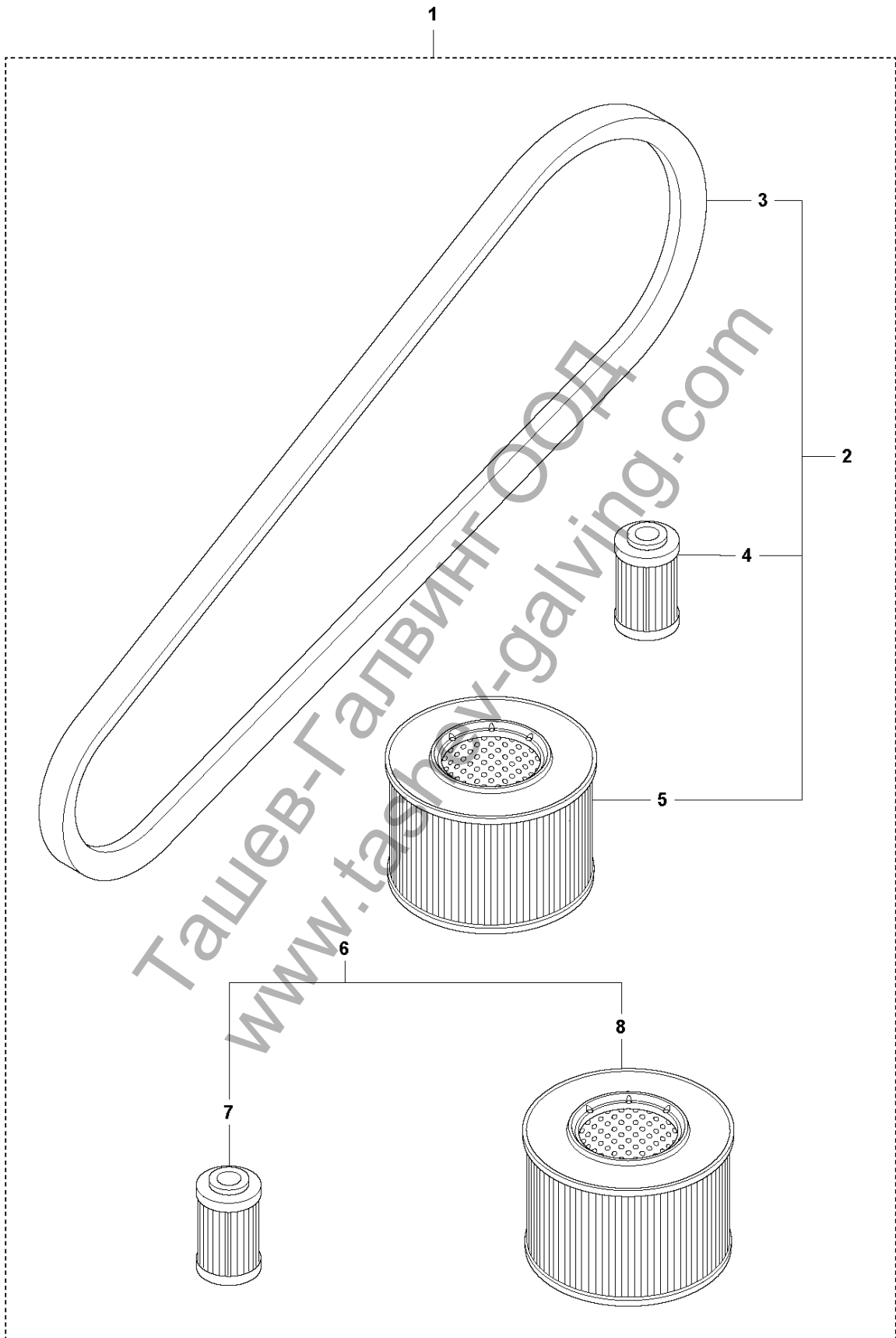
Q LFV 100
12 MONTHS / 200 HOURS SERVICE KIT - HONDA



Ref	Part No	Description	Remark	QTY	KIT
1	594 21 62-01	SERVICE KIT		1	1
2	594 30 21-01	AIR FILTER	complete	1	1
3	594 48 88-01	V-BELT		1	1

Ташев-Галвинг ООД
www.tashev-galving.com

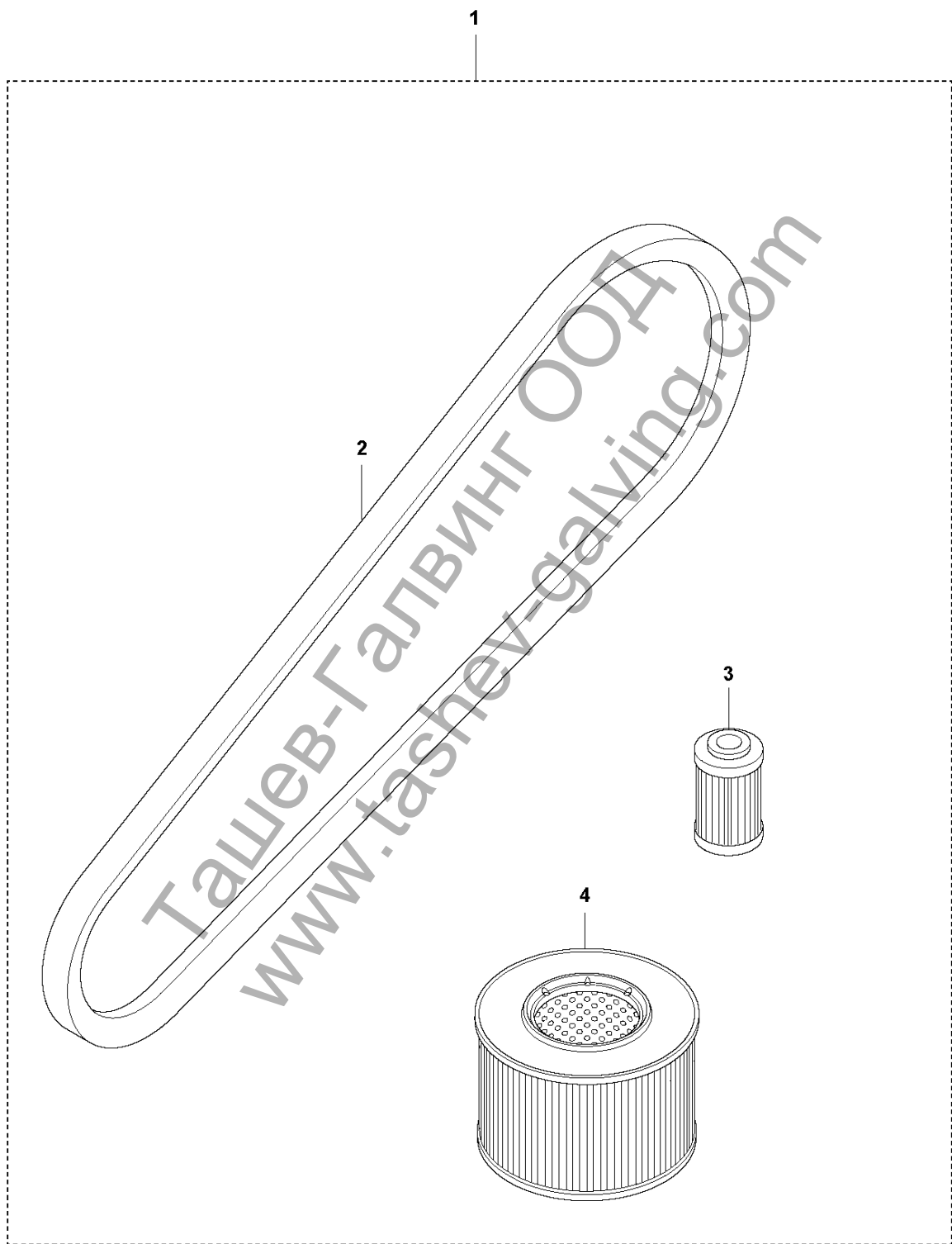
R LFV 100 D
START UP KIT - HATZ



Ref	Part No	Description	Remark	QTY KIT	
1	594 21 82-01	SERVICE KIT		1	
2	594 21 67-01	SERVICE KIT	12 months / 500 hours service kit - Hatz	1	1
3	594 48 89-01	BELT		1	1, 2
4	594 59 51-01	FUEL FILTER		1	1, 2
5	594 57 11-01	FILTER		1	1, 2
6	594 21 46-01	SERVICE KIT	Six months / Every 250 hours kit - Hatz	1	1
7	594 59 51-01	FUEL FILTER		1	1, 6
8	594 57 11-01	FILTER		1	1, 6

Ташев-Галвинг ООД
www.tashev-galving.com

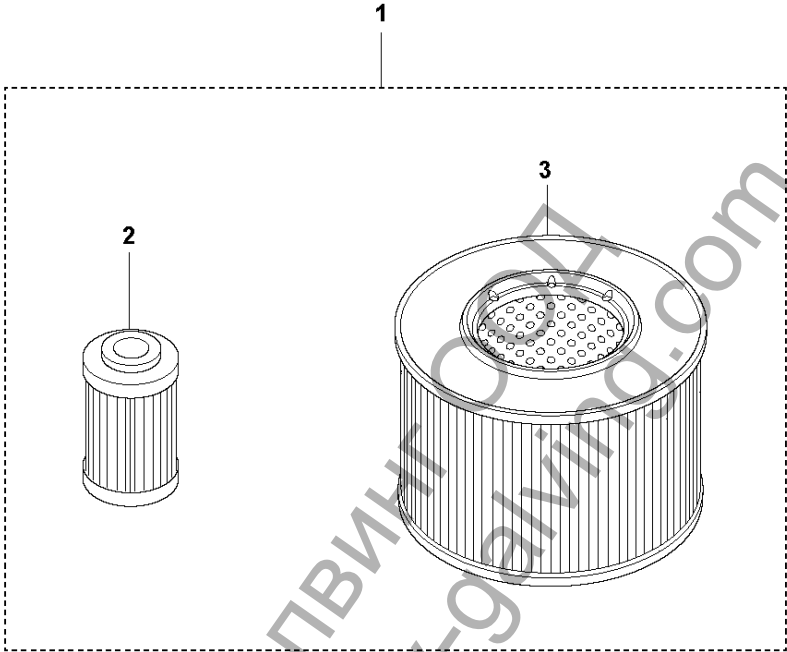
S LFV 100 D
12 MONTHS / 500 HOURS SERVICE KIT - HATZ



Ref	Part No	Description	Remark	QTY KIT	
1	594 21 67-01	SERVICE KIT		1	
2	594 48 89-01	BELT		1	1
3	594 59 51-01	FUEL FILTER		1	1
4	594 57 11-01	FILTER		1	1

Ташев-Галвинг ООД
www.tashev-galving.com

T LFV 100 D
SIX MONTHS / EVERY 250 HOURS KIT - HATZ

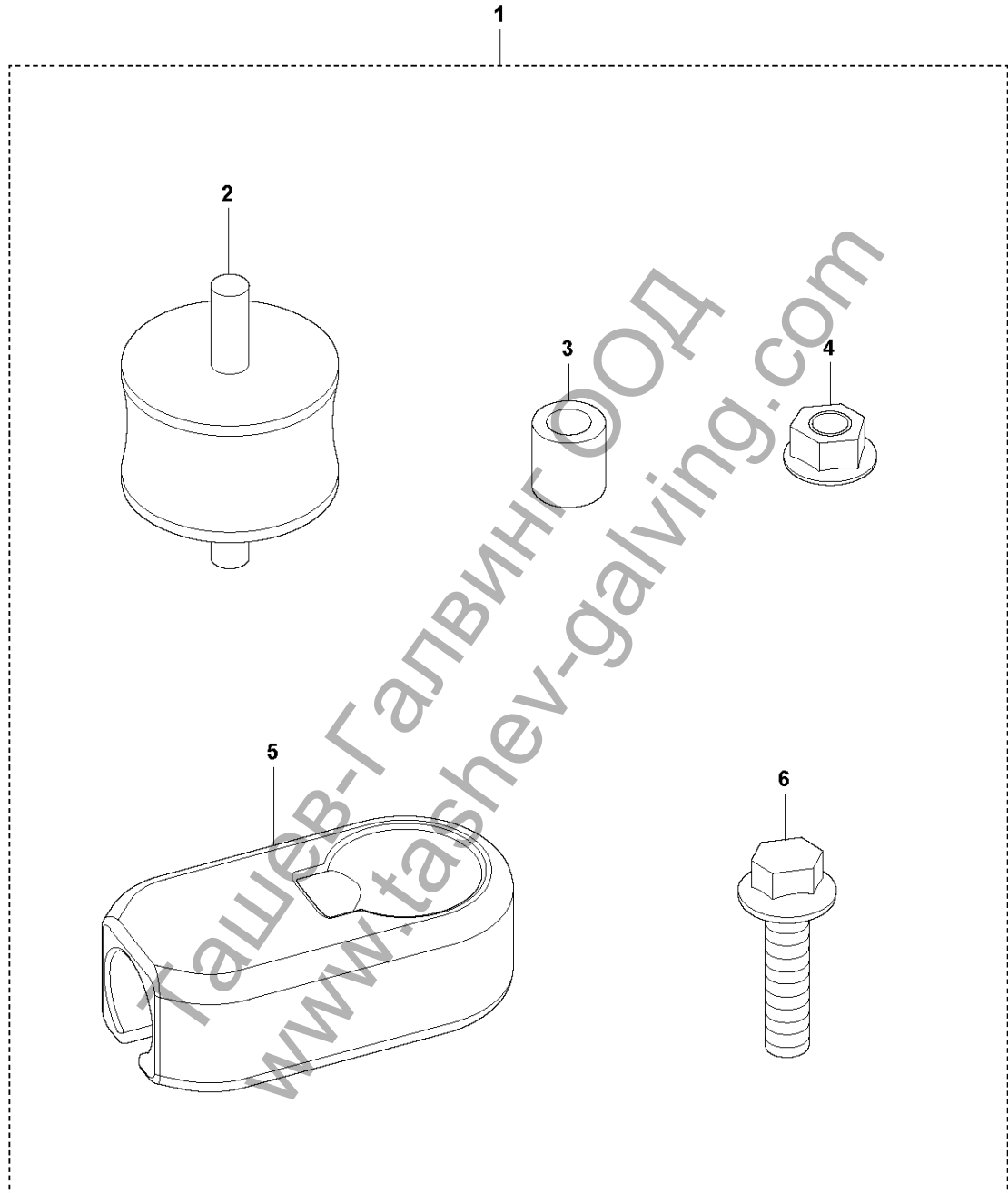


Ташев-Галвинг
www.tashev-galving.com

Ref	Part No	Description	Remark	QTY	KIT
1	594 21 46-01	SERVICE KIT		1	
2	594 59 51-01	FUEL FILTER		1	1
3	594 57 11-01	FILTER		1	1

Ташев-Галвинг ООД
www.tashev-galving.com

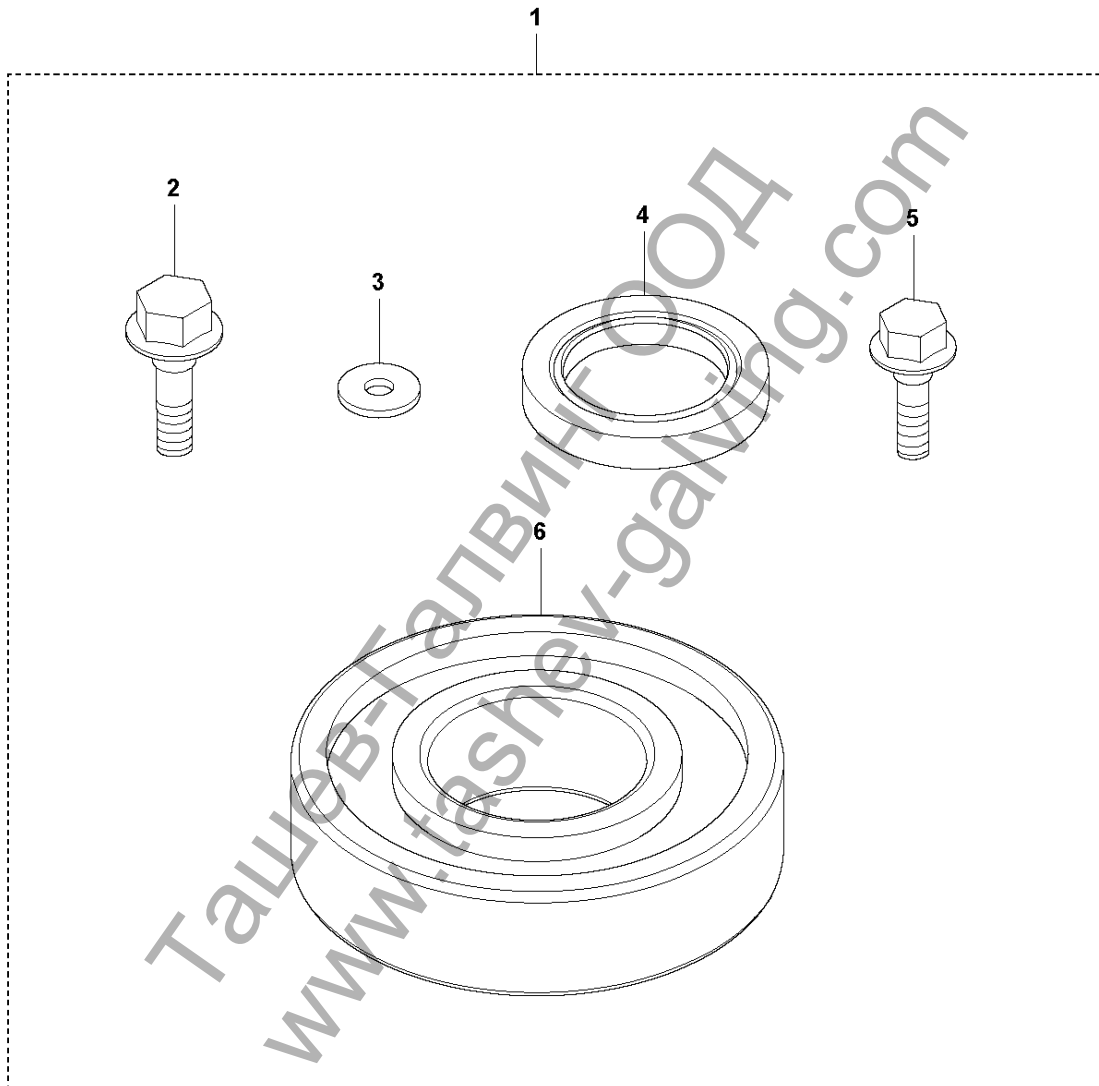
U LFV 100
SHOCK ABSORBER REPAIR KIT - HONDA



Ref	Part No	Description	Remark	QTY KIT	
1	594 19 46-01	REPAIR KIT		1	
2	594 34 19-01	ABSORBER	Shock absorber	4	1
3	594 48 03-01	BUSHING	Bushing	2	1
4	594 12 26-01	HEXAGON NUT	Flanged nut M10	8	1
5	594 48 04-01	RADIATOR	Rubber element	2	1
6	594 83 85-01	WASHER	022x10,5x4,0, S355JR, UNTR	4	1

Ташев-Галвинг ООД
www.tashev-galving.com

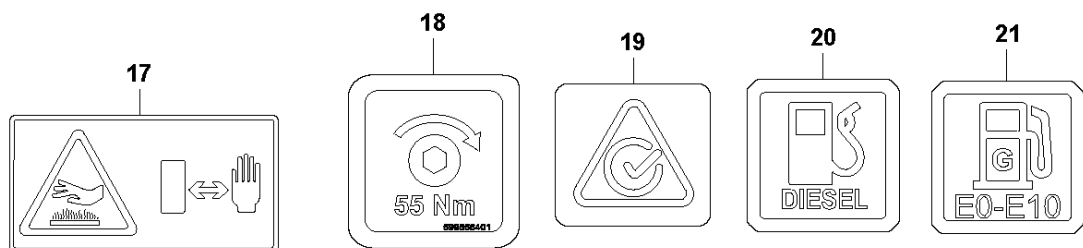
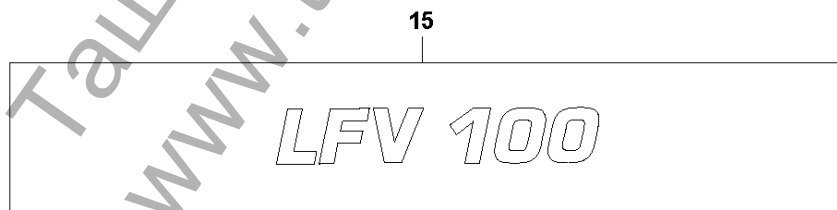
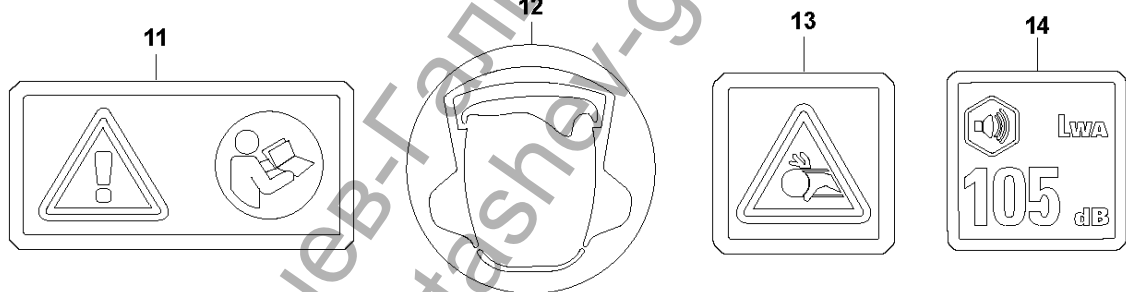
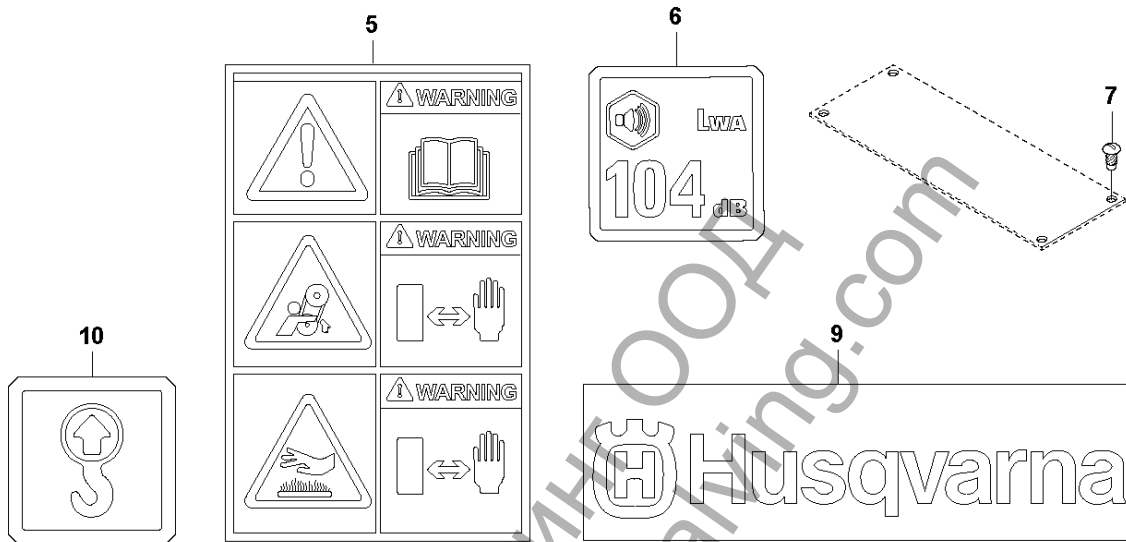
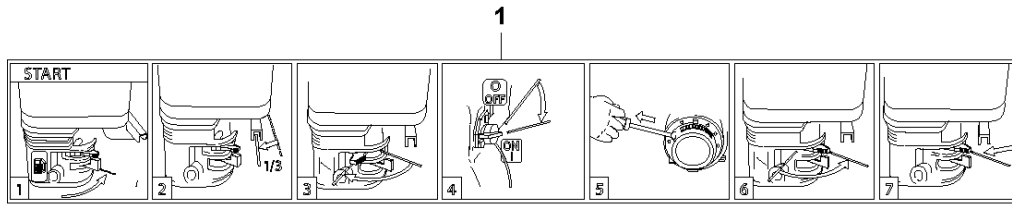
V LFV 100 / LFV 100 D
ECCENTRIC ELEMENT REPAIR KIT



Ref	Part No	Description	Remark	QTY KIT	
1	594 19 44-01	REPAIR KIT		1	
2	594 12 00-01	SCREW	M08x025H, 8.8, A2K	1	1
3	594 12 34-01	WASHER	M08 8,4x22x3,0 300 HV	1	1
4	594 12 83-01	SEAL		1	1
5	594 52 33-01	SCREW	M06x16, 8.8, A2K	6	1
6	594 52 61-01	BALL BEARING		2	1

Ташев-Галвинг ООД
www.tashev-galving.com

W LFV 100 / LFV 100 D
DECALS



Ref	Part No	Description	Remark	QTY KIT
1	594 48 62-01	DECAL		1
5	594 48 63-01	DECAL		1
6	595 51 32-02	LABEL		1
7	595 18 02-01	SCREW		4
9	595 09 42-01	DECAL	logo Husqvarna	1
10	594 66 09-01	LABEL		2
11	594 86 97-01	LABEL	Hatz version	1
12	594 65 96-01	LABEL	Hatz version	1
13	594 66 08-01	LABEL	Hatz version	1
14	594 51 56-01	DECAL	decal level noise 105Db	1
15	595 09 48-01	DECAL	brand decal LF100 (HV colors 158,4x24,4mm)	1
17	595 18 61-01	DECAL	Hot surface	1
18	599 55 64-01	DECAL		2
19	596 28 02-01	DECAL	DECAL Compliance	1
20	594 66 16-01	LABEL	decal diesel - Hatz	1
21	594 66 02-01	LABEL	decal gasoline - Honda	1

Ташев-Галвинг ООД
www.tashev-galving.com